



Bobcat®

COMPACT EXCAVATORS

E62 E85



COMFORT, FOR CONTINUOUS OPERATION

Both models share the same cab, whose design is based on the 8T platform, offering more space and leg room, but less noise and vibration. You can easily enter and exit the cab, and the adjustable seat with head and arm rests can be set in the most comfortable position.

In addition, the cab is standard equipped with air-conditioning to provide the required level of operator comfort, which increases productivity. The air conditioning system has also been improved with more airflow capabilities.



Multi-functional instrumentation panel

The new 5.7" LCD colour panel screenshots:

1. Protection: password protection including multiple operator logins
2. Attachment: selectable auxiliary hydraulic flow settings for attachment operations
3. Maintenance: diagnostics, system status functionality and service intervals
4. Setup: multi-languages and screen brightness
5. Operation: fuel level, coolant temperature, engine RPM, date, time and more



Focusing on the task at hand

The operating system is located in front of the operator to provide the machine's current status at a glance. The 5.7" LCD colour panel provides all kinds of additional information, including auxiliary hydraulic settings, maintenance diagnostics and keyless capabilities.

The thumb control is integrated in the joystick for better metering of the boom swing and the two-directional and proportional flow of auxiliary hydraulics. The attachment menu allows you to adjust the maximum flow for both auxiliary hydraulics (1st & 2nd) to optimize the operation of any attachment.



Saving fuel without any effort

The operating system has an integrated ECO gauge, indicating the level of fuel efficiency during operation. To increase fuel efficiency, both models are standard equipped with the auto-idle feature, which lowers the engine's RPM after 4 sec. of none operation.

The standard refuelling pump, with automatic shut-off makes it even easier to refuel the machine in the field.

Screenshot 1



Screenshot 2



Screenshot 3



Screenshot 4



Screenshot 5



QUALITY, FOR NON STOP PRODUCTIVITY

Reliability: the habit of a lifetime

Reliability has always been one of the top priorities at Bobcat when designing machines. The most advanced computer-aided design and endurance testing under severe conditions ensures your excavator will keep on performing. Top quality materials have resulted in extended grease intervals (up to 250 hours) mean fewer maintenance points to be checked before starting the daily job.



The floating blade feature is standard for the product range, allowing each operator a perfect levelling result.



Standard two directional auxiliary hydraulics (1st & 2nd) mounted to the dipperstick, allowing easy connection.



Standard boom and arm safety valves to guarantee safety at all times

The load sensing closed-centre hydraulic system has been fine-tuned for even smoother operations. This will allow the operator to make repetitive, smooth and simultaneous movements which will result in great productivity for any kind of operation, such as track loading, trenching or general digging.

Every feature helps you work better

- Reinforced X-chassis provides strength, while the optimised boom shape ensures uniform load distribution for more durability.
- Improved load sensing closed-centre hydraulic system uses the engine power more effectively, maximising pump output, comfort, smoothness and accuracy.
- Improved fuel efficiency keeps costs down and reduces environmental impact.

The result: your excavator will give you years of reliability, with more uptime, longer parts lifetime, and more productivity – all at less cost.



Engine Stage IIIB (only E85)

In compliance with the European engine emissions regulations, the Bobcat E85 is equipped with the Diesel Particulate Filter (DPF) and Diesel Oxidation Catalyst (DOC) exhaust after-treatments.

The automatic regeneration system that cleans the DPF can be turned off temporarily during operations in environments with fumes or other fire hazards.

EASY TO SERVICE

In addition to the large right-hand side cover, the cab can be tilted forward, as needed, to improve service accessibility to the main hydraulic valve.



Standard configuration E62 & E85:

- Reduced tail swing
- Forward LCD display
- Smooth workgroup operations
- Comfortable operator environment
- 1st and 2nd auxiliary hydraulic systems
- Joystick-controlled auxiliary hydraulics and boom swing
- Auto-idle
- Auto shift travel motors
- Boom & arm lock valves (load holding valves)
- Overload warning device
- Travel motion alarm



Options E62 & E85:

- Steel tracks
- Long arm
- 3rd auxiliary hydraulic system
- Dozer lock valve (load holding valve)

Kits available E62 & E85:

- Beacon kit
- Front guard for breaker applications
- Overhead guard (FOPS)

E62 E85 — SPECIFICATIONS

	E62	E85
WEIGHTS		
with ROPS cab , rubber tracks, standard dipperstick, standard bucket (SAE J732):	6130 kg	8540 kg
Additional weight for long dipperstick	120 kg	60kg
Ground pressure with rubber tracks	34.40 kPa	38.20 kPa
ENGINE		
Make/Model	Yanmar/4TNV94L	Yanmar/4TNV98C
Fuel/Cooling	Diesel/Liquid	Diesel/Liquid
Number of cylinders	4	4
Displacement	3054 cm ³	3319 cm ³
Maximum power at 2200 RPM (DIN 6271)	36.2 kW	-
Maximum power at 2100 RPM (DIN 6271)	-	44.3 kW
PERFORMANCE		
Digging force, dipperstick (ISO 6015)	29.3 kN	43.9 kN
Digging force, long dipperstick (ISO 6015)	26.2 kN	36.6 kN
Digging force, bucket (ISO 6015)	44.1 kN	64.7 kN
Drawbar pull	55.0 kN	64.7 kN
Travel speed, low range	2.7 km/h	2.7 km/h
Travel speed, high range	4.4 km/h	4.7 km/h

HYDRAULIC SYSTEM

E62 Pump type - One engine-driven tandem axial piston pump

E85 Pump type - One engine-driven tandem axial piston pump and one engine-driven gear pump

Pump capacity	132.00 L/min	151.00 L/min
Auxiliary flow	85.00 L/min	95.00 L/min
System relief pressure for auxiliary circuits	210.00 bar	250.00 bar

SLEW SYSTEM

Boom swing, left	70°	70°
Boom swing, right	50°	55°
Slew rate	9.4 RPM	9.5 RPM

FLUID CAPACITIES

Cooling system	10.0 L	10.0 L
Engine lubrication plus oil filter	10.2 L	10.2 L
Fuel reservoir	78.00 L	110.00 L
Hydraulic system	111.00 L	148.00 L

ENVIRONMENTAL

Noise level LpA(EU Directive 2000/14/EC)	73 dB(A)	71 dB(A)
Noise level LWA(EU Directive 2000/14/EC)	97 dB(A)	98 dB(A)
Whole body vibration (ISO 2631-1)	0.35 ms ⁻²	0.32 ms ⁻²
Hand-arm vibration (ISO 5349-1)	0.94 ms ⁻²	0.82 ms ⁻²

STANDARD FEATURES E62/E85

1980 mm / 2300 mm dozer blade	TOPS/ROPS cab *
400 mm / 450 mm rubber track	Boom & arm safety valves
5.7 inch LCD screen	Harness for rotating beacon
Engine/hydraulic monitor with shutdown	Fully adjustable air conditioning
Fingertip auxiliary hydraulic control	Overload warning device
Control console locks	Sun visor
Hydraulic joystick controls	Left rear view mirror
Two-speed travel	Electric refueling pump
Lockable storage compartment	Auto idle
Horn	Auto shift travel
Work lights	Auxiliary hydraulics (1st and 2nd circuits)
Retractable seat belt	Auxiliary line on arm with quick couplers
Suspension seat with high back	Warranty: 12 months, 2000 hours (whichever occurs first)
Travel motion alarm	

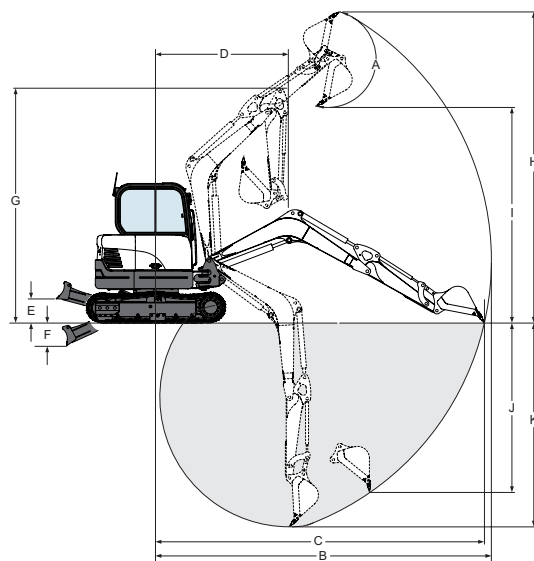
* Tip Over Protective Structure (TOPS) – Meets requirements of ISO 12117

OPTIONS

- Steel tracks
- Third auxiliary hydraulic line (Clamshell Piping)
- Long dipperstick

WORKING RANGE E62/E85

All dimensions in mm.

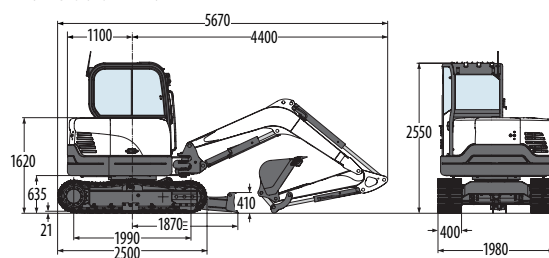


short/long arm

	E62	E85
A	179°	182°
B	6,230 / 6,525	6,915 / 7,430
C	6,100 / 6,400	6,765 / 7,295
D	2,530 / 2,645	2,550 / 2,635
E	460	437
F	440	304
G	4,381 / 4,386	5,007 / 5,019
H	5,785 / 6,005	6,630 / 6,980
I	4,045 / 4,260	4,645 / 4,995
J	3,125 / 3,435	3,245 / 3,755
K	3,815 / 4,115	4,175 / 4,725

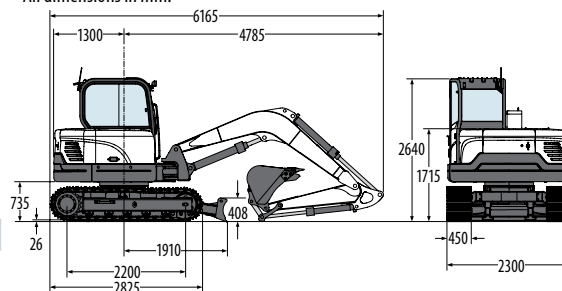
DIMENSIONS E62

All dimensions in mm.



DIMENSIONS E85

All dimensions in mm.



Bobcat®

www.bobcat.eu

DI CE - Drève Richelle 167 - B-1410 Waterloo, Belgium

